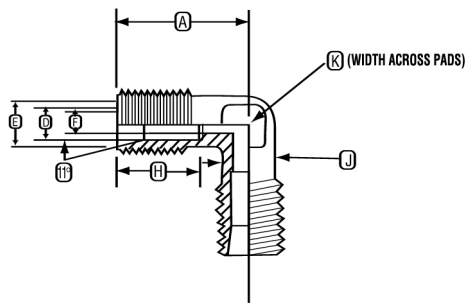
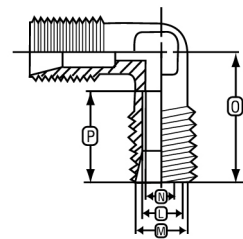


50



Union Elbows



Reducing Union Elbows

UNION ELBOWS

由宁弯接

		SPECIFICATIONS										
JACO Part No.	Tube O.D.	Thread	A	D +.005/ .010	E	F	H	J	K			
			± 1/64			± 1/64	+/- 1/64	± 1/64	± 1/64			
50-4	1/4	7/16-20	13/16	.250	.330 - .335	.170	15/32	3/8	3/8			
50-5	5/16	1/2-20	29/32	.312	.380 - .385	.232	31/64	7/16	7/16			
50-6	3/8	5/8-20	15/16	.375	.460 - .465	.250	19/32	9/16	9/16			
50-8	1/2	3/4-20	1-1/16	.500	.590 - .595	.375	11/16	11/16	45/64			
50-10	5/8	7/8-20	1-1/4	.625	.715 - .720	.500	45/64	13/16	55/64			
50-12	3/4	1-1/16	1-35/64	.750	.860 - .865	.625	13/16	1	1			
50-14	7/8	1-3/16-16	1-9/16	.875	.995 - 1.000	.750	7/8	1-1/8	1-3/16			

REDUCING UNION ELBOWS

由宁变径弯接

		SPECIFICATIONS												
JACO Part No.	Tube O.D.	Thread	A	D +.005/ .010	E	F	H	J	K	L +.005/ .010	M	N	O	P
			± 1/64			± 1/64	± 1/64	± 1/64	± 1/64	.010		±.010	± 1/64	± 1/64
50-14-10	7/8 - 5/8	1-3/16-20 - 7/8-20	1-9/16	.875	.995 - 1.000	.750	7/8	1 1/8	1-3/16	.625	.715 - .720	.500	1-29/64	45/64